

DTS523 Three-phase & Four-wire Electronic Watt-hour Meter

Description

The product is made of advanced special IP for three-phase dual-direction electric power metering and SMT production technology, which will leave higher accuracy and stability.

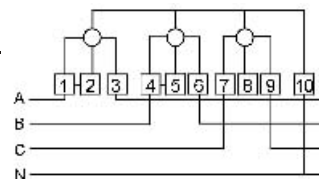
Performance Index

- 1.Active three-phase electric power metering, no subject to adjust in terms of long working.
- 2.Three-phase power supply can assure accurate metering in case of cut-off in a phase or two phases..
3. Indicative function for phase loss.
- 4.Remote pulse output interface.

Main technical data

- 1.Suitable standard: All the indexes comply with the technological specifications aiming to the three-phase electronic watt-hours meter in the standard of GB/T17215-1998(IEC1036-1996).
- 2.Specification & main technology parameter.

Wiring diagram



three phase four wire direction type



DTS523-(A)

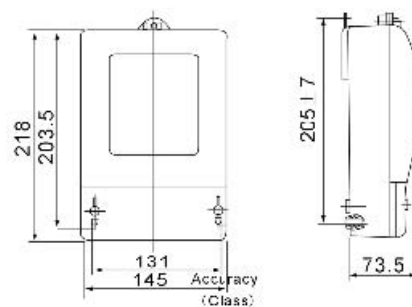


DTS523-(B)
LCD display



DTS523-(G)
multitariff type

Outer and mount dimension



DTS523-(D)



DTS523-(E)



DTS523-(F)



DTS523-(F)



DTS523-(G)

Specification and main technical data

Type	Accuracy (class)	Reference voltage(V)	Basic current Ib(A)	Reference frequency(Hz)
DTS523	1 2	3×220/380 3×240/415	3x1.5(6) 3x5(20) 3x20(80) 3x3(6) 3x10(40) 3x5(30) 3x10(60)	50~60Hz